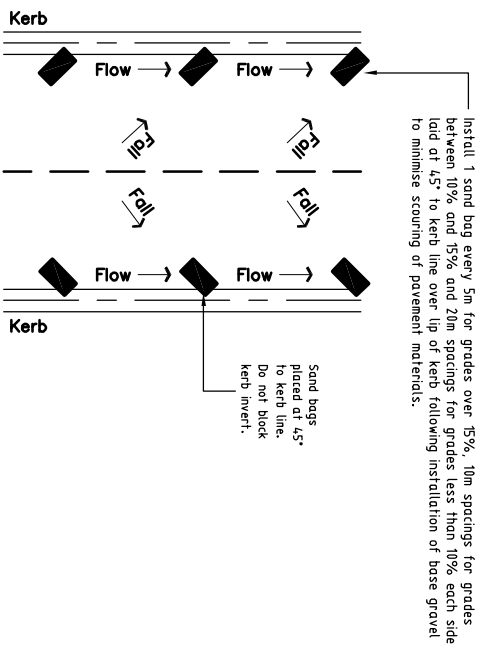


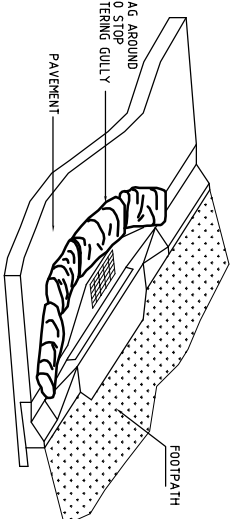
- Note:—**
- For techniques to be effective in the Control of Erosion and trapping of coarse Sediment, they must dam water. This enables sediment to settle.
  - Leave existing grass surface unstripped wherever possible to assist in controlling erosion.



Applies to Exposed gravel surfaces or Primed gravel surface prior to AC

**SANDBAG POSITION DETAIL**

SCHEMATIC ONLY



**GULLY INLET PROTECTION**

SCHEMATIC ONLY

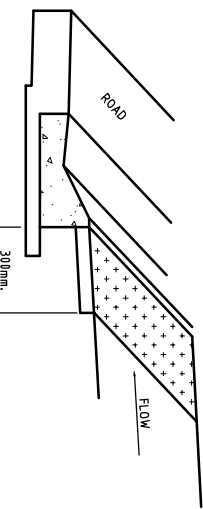
**MAINTENANCE PROGRAM FOR GULLY INLET PROTECTION**

REGULAR INSPECTIONS AFTER EACH RAINFALL EVENT TO ENSURE THAT THE PROTECTION DEVICE IS STILL IN PLACE AND ANY EXCESSIVE SEDIMENT DEPOSITS ARE TO BE REMOVED.

- EROSION & SEDIMENT CONTROL NOTES.**
- CONSTRUCTION OF ALL SEDIMENT MANAGEMENT DEVICES SHALL BE COMPLETED AND EFFECTIVE PRIOR TO:
    - STRIPPING OF TOPSOIL AND GRASS.
    - BULK EARTHWORKS TO THE SITE.
    - SERVICE INSTALLATIONS TO THE SITE.
  - ALL SEDIMENT MANAGEMENT DEVICES ARE TO REMAIN IN PLACE UNTIL NOTICE FROM THE SUPERVISING ENGINEER.
  - BOTH TEMPORARY AND PERMANENT SEDIMENT MANAGEMENT DEVICES SHALL BE MAINTAINED AT A SUITABLE LEVEL/CONDITION THROUGHOUT CONSTRUCTION. SEDIMENT FENCES ARE TO BE CLEANED OUT WHEN CAPACITY IS REDUCED BY 50%.
  - IF EROSION AND SEDIMENT CONTROL DEVICES HAVE BEEN FOUND TO BE DEFICIENT OR FAILED IN SERVICE, DUE TO UNFORESEEN CIRCUMSTANCES, CORRECTIVE ACTION IS TO BE UNDERTAKEN IMMEDIATELY WHICH MAY INCLUDE AMENDMENTS/ADDITIONS TO THE ORIGINAL APPROVED EROSION CONTROL PLANS. SUCH ADDITIONS OR AMENDMENTS ARE TO BE APPROVED BY THE SUPERVISING ENGINEER.
  - THE INSTALLATION, REMOVAL, RELOCATION OR MODIFICATION TO EROSION AND SEDIMENT CONTROL DEVICES MAY BE MADE BY A LICENSING AND COMPLIANCE OFFICER, IF DEEMED NECESSARY AND RELEVANT.
  - ALL EROSION AND SEDIMENT CONTROL DEVICES ARE TO BE INSPECTED AT LEAST WEEKLY, BEFORE AND AFTER RAINFALL EVENTS. ANY DAMAGE OR EXCESS EROSION/SEDIMENT IS TO BE REPAIRED/MANAGED AS REQUIRED TO MAINTAIN CONTROL DEVICES.

- SILT CONTROL PHASES DURING CONSTRUCTION.**
- THE VARIOUS SILT CONTROL METHODS USED DURING CONSTRUCTION SHALL BE DETERMINED ON SITE, PRIOR TO COMMENCEMENT OF WORKS, BY THE SUPERVISING ENGINEER, CONTRACTOR AND COUNCIL'S REPRESENTATIVE. THE FOLLOWING PROGRAM SHALL BE USED AS A GENERAL GUIDE:
- PHASE 1 - PRELIMINARY WORKS AND EARTHWORKS.
- SILT FENCES TO SITE PERIMETER AND TOPSOIL STOCKPILES.
  - HARBLES, SILT FENCES AND/OR FILTER DAMS AT CONCENTRATED OUTLETS.
  - ALL WATER QUALITY DATA INCLUDING DATES OF RAINFALL AND MONITORING AND CORRECTIVE ACTIONS ETC, MUST BE MAINTAINED IN AN ON-SITE REGISTER. THIS REGISTER IS TO BE MAINTAINED FOR THE DURATION OF THE WORKS AND BE AVAILABLE ON-SITE FOR INSPECTION BY COUNCIL OFFICERS ON REQUEST.
- PHASE 2 - THE WORKS AND ROAD CONSTRUCTION.
- MAINTAIN THE USE OF TO, 1b AND 1c ABOVE.
  - ALL MEASURES ARE TO BE MAINTAINED ON A WEEKLY BASIS.
  - PHASE 3 - FINAL WORKS AND RE-ESTABLISHMENT OF GROUND COVER.
  - MAINTAIN TO, 1b AND 1c ABOVE.
  - ERECT ADDITIONAL SILT FENCES TO ALLOTMENT BOUNDARIES AT ROAD FRONTS.
  - IMPLEMENT SILT CONTROL MEASURES TO STORMWATER RETICULATION INLETS AND TURF STRIPS BEHIND KERB AND CHANNEL. SEED ALL OTHER DISTURBED AREAS.
  - ALL MEASURES ARE TO BE MAINTAINED UNTIL AT LEAST 80% GRASS COVER HAS BEEN ACHIEVED WHEN ALL MEASURES MAY BE REMOVED.

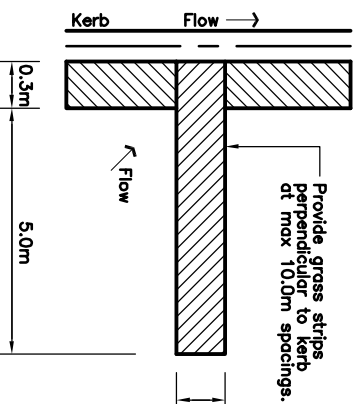
- NOTES**
- SILT FENCES ARE TO BE EMPLOYED WHERE CONDITIONS DURING CONSTRUCTION REQUIRE THE CONTROL OF ANY POSSIBLE SILT MOVEMENT ON THE SITE, AS DIRECTED BY THE SUPERVISOR.
  - ADDITIONAL EROSION AND SILT CONTROL MEASURES MAY BE DETERMINED ON SITE WITH T.R.C. ENGINEERS AT THE PRE-START MEETING.
  - FOR DETAILS ON SEDIMENT PROTECTION FOR ON GRADE GULLIES AND ANTI-POUNDING PITS, REFER TO I.P.W.E.A.G. STD. DMS. D-0041.
  - IN CASES WHERE THE SILT FENCE IS RUNNING PERPENDICULAR TO THE CONTOURS, SILT FENCE RETURNS ARE REQUIRED EVERY 20.0 METRES.



**GRASS FILTER STRIPS**

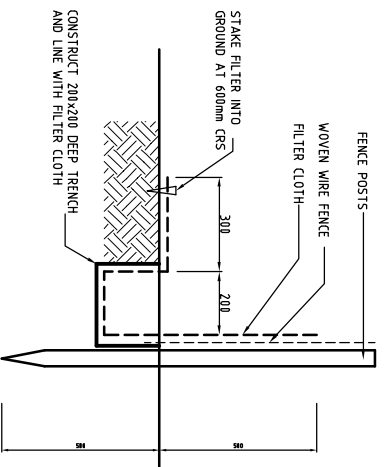
SCHEMATIC ONLY

MAINTENANCE PROGRAM FOR GRASS FILTER STRIPS. THE SIGNIFICANT BUILD UP ON FILTER STRIPS INDICATES INSUFFICIENT ON-SITE EROSION AND SEDIMENT CONTROLS. THE SOURCE OF ANY EXCESSIVE SEDIMENT DEPOSITS IS TO BE INVESTIGATED AND RECTIFIED.



**GRASS FILTER STRIPS**

SCHEMATIC ONLY



**ERECTION NOTES**

WOVEN FENCE TO BE FASTENED SECURELY TO FENCE POSTS WITH WIRE TIES OR STAPLES. FILTER CLOTH TO BE FASTENED SECURELY TO WOVEN WIRE FENCE WITH TIES SPACED EVERY 600mm AT TOP OR MID SECTION. WHEN TWO SECTIONS OF FILTER CLOTH ADJOIN EACH OTHER THEY SHALL BE OVERLAPPED BY 150mm AND FOLDED. MAINTENANCE SHALL BE PERFORMED AS NEEDED AND MATERIAL REMOVED WHEN BULGING OR FENCE OCCURS.

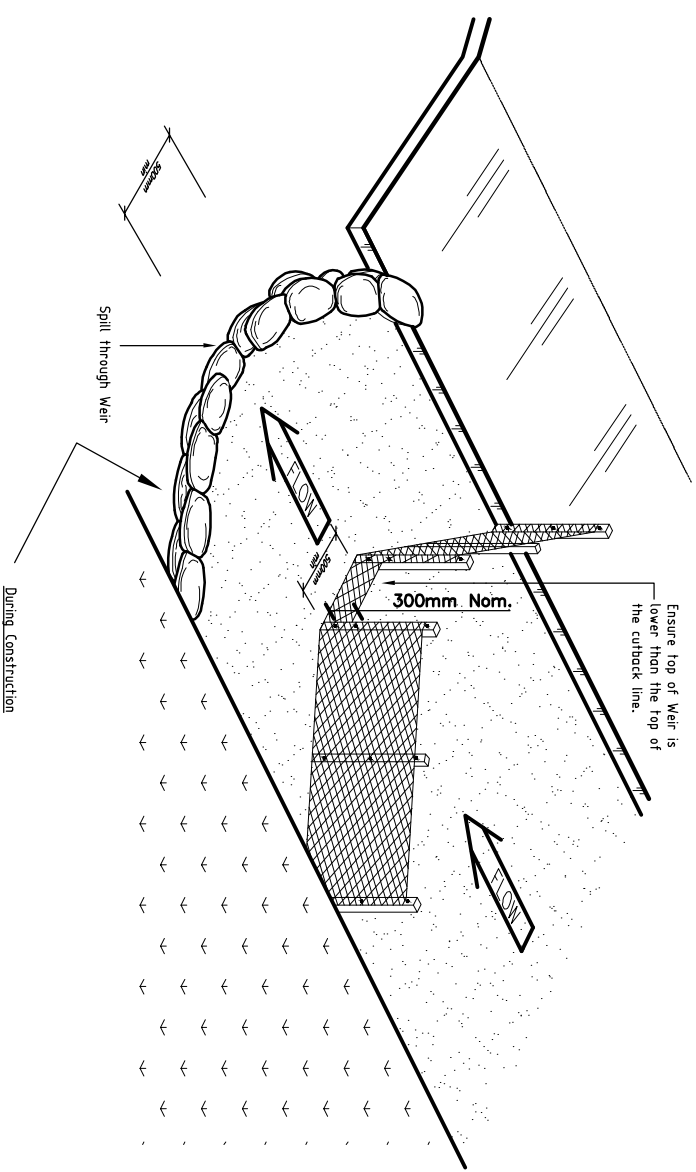
MATERIALS	
MATERIAL	TYPE
POSTS	STEEL EITHER "T" OR "U" TYPE OR 50mm HARDWOOD
FENCE	WOVEN WIRE 14 GAUGE 50mm MAX APERTURE
FILTER CLOTH	FILTER AS SPECIFIED (TERRAM 100, POLYFELT T5590 BIDIM U24 OR EQUIVALENT)
PREFABRICATED UNIT	GEOPAR, ENVORPENCE, OR APPROVED EQUIVALENT

**SILT FENCE DETAIL**

SCHEMATIC ONLY

**SEDIMENT & EROSION CONTROL DETAILS**

Scale:-- Diagrammatic



**SEDIMENT AND SANDBAG FENCES SPILL THROUGH WIER TYPICAL DETAIL**

SCHEMATIC ONLY

**During Construction**

Install sand bags or sediment fence within boxed out section of weirs at a maximum spacing of 20m. Slope complete with spill through weir at a level not greater than the height of existing pavement.

Revisions	Date
B For Construction	Aug 08
A Original issue	May 07

**BAKER ROSSOW**  
CONSULTING ENGINEERS

client	STYLCO PTY LTD
project	WILLIAM ST, CAMBOOYA
title	SEDIMENT & EROSION CONTROL DETAILS

Survey	Drawn	Design	J/M	Examined	Certified
HS	TCH	CMO			
AUG 06	FEB 07	FEB 07	JAN 08		

DISCREPANCIES WHERE ANY DISCREPANCY EXISTS BETWEEN FIGURED AND SCALED DIMENSIONS, THE FIGURED DIMENSIONS SHALL APPLY.

**COPYRIGHT** COPYRIGHT EXISTS ON ALL PLANS & DESIGNS PRODUCED BY BAKER ROSSOW CONSULTING ENGINEERS AND SHALL NOT BE REPRODUCED IN PART OR IN FULL WITHOUT WRITTEN APPROVAL.

FOR BAKER ROSSOW CONSULTING ENGINEERS

THE CONTRACTOR SHALL VERIFY ALL DIMENSIONS, LOCATIONS AND LEVELS. IT IS NECESSARY TO COMPLETE THE WORK BEFORE COMMENCING ANY WORK ON SITE. IF ANY DOUBT EXISTS THE CONTRACTOR SHALL NOTIFY THE ENGINEER IMMEDIATELY BEFORE PROCEEDING WITH ANY WORK.

- BAR SCALES -	
JOB No.	104000
No. of plans	702
A	B